

NEW

NOZZLE AIR DISTRIBUTORS SD



The description:

Nozzle air distributors are intended for air distribution indoors for big distance using range of inlet air jet at the same time low noise level. As a rule, it is necessary in big size facilities (parking, sport halls, exhibition centers, garages, storehouses, hangars, etc.). Nozzles mount in premises along walls. Inlet air jet from a nozzle moving to ventilated zone, changing a speed and temperature and deviates upwards (warm air) or downwards (cold air). For increase range of air jet using joining of the separate nozzles in blocks. Optimum profile of nozzles provides low aerodynamic resistance and low noise level.

Features:

Nozzle air distributors have fixed nozzles. They are made of the anodized aluminum and painted in any color at will of customer according to RAL.

Types and sizes:

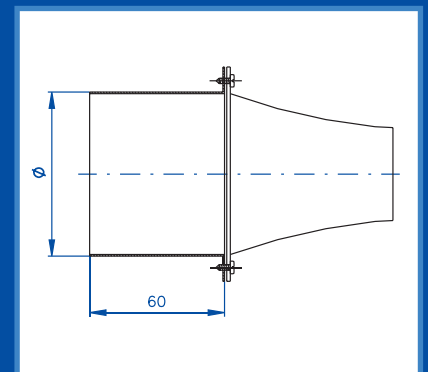
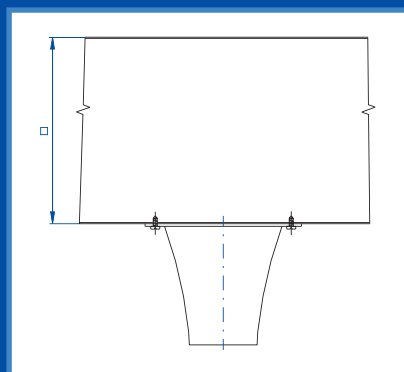
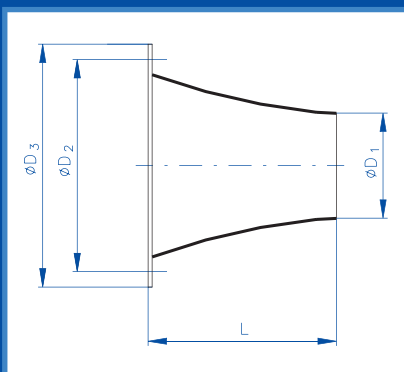
Nozzle air distributors are made seven standard sizes: from 100 to 400 mm.

Type	Size	D1 MM	D2 MM	D3 MM	L MM	Minimum airspeed m/s	Maximum airspeed m/s	Free area m ²	Minimum air consumption m ³ /h	Maximum air consumption m ³ /h
SD	100	50	115	136	94	2,5	20,0	0,0020	18	141
SD	125	64	138	159	112	2,5	20,0	0,0032	29	232
SD	160	82	201	225	122	3,0	18,0	0,0053	57	342
SD	200	108	241	265	153	3,0	17,0	0,0092	99	560
SD	250	136	291	315	187	3,5	15,0	0,0145	183	784
SD	315	174	376	400	224	4,0	14,0	0,0238	342	1198
SD	400	230	461	485	287	4,0	14,0	0,0415	598	2093

Installation:

Directly in rectangular and round air ducts nozzle SD mount. In both cases are used unflanged folds through which fastening is realized by screws or rivets.

Nozzle mounting examples:



www.ventilation-system.com

Fixed nozzle directly mounted on the tetrahedral section air ducts.

Fixed nozzle mounted axially on corrugated air duct with adapter.